

# SYCON-4300 SS

Maximum Demand Controller



## SYCON

A low cost version in MD controller series, 4300 SS proves to be a perfect value package. It comes with one trip output and one alarm output. The alarm and trip demand values are site settable

### Display

- Large alphanumeric LCD display (2 x 16 characters)

### Display Parameters

- Continuous Display of
  - Average KVA demand
  - Instantaneous demand, RMS Voltage, RMS Current
  - Selectable display of setting
- Selectable Display
  - Present and previous maximum demand
  - Trip status of contacts



### General Features

- 1 Alarm point and 1 tripping point (potential free)
- Friendly user interface
- Easy to install

### Control Features

- Password protection for settings
- Adjustable Integration time of 15 Minutes or 30 Minutes
- Programmable CT primary
- Adjustable demand settings
- Clock setting facility to match EB clock

### Optional Features

- Available for 3ph 3 wire and 3ph 4 wire system
- Dual transformer demand controller

### Mechanical Specifications

Dimensions	144(L) x 144(W) x 80(D) mm
Panel Cutout	138 mm x 138 mm

### Electrical Specifications

Voltage Input	415V AC -15%
Current Input	--/5A --/1A (optional)
Frequency	50Hz
Switching Contact	10A at 250V AC
Accuracy	1 digit
Switching Program	Intelligent (Best fit )

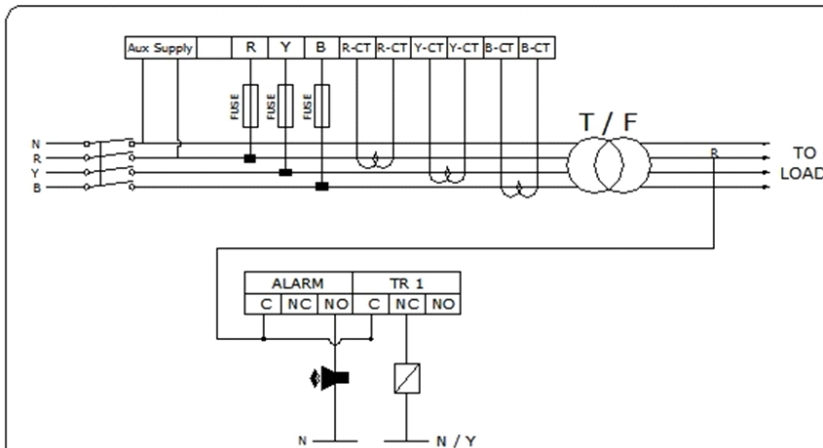
# SYCON-4300 SS

Maximum Demand Controller

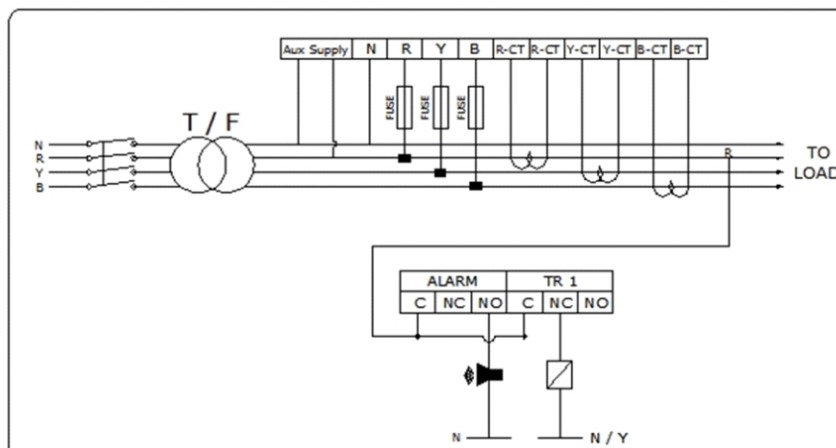


## SYCON

### Wiring Diagram



Connection Drawing For SYCON - 4300-SS (3 Phase 3 Wire)



Connection Drawing For SYCON - 4300-SS (3 Phase 4 Wire)

**Address:** C-24, MIDC, Miraj 416410 Dist. Sangli, Maharashtra, India

**Phone:** +91 9623 44 3835, +91 233 2644765 / 2644320

**Email:** info@sycon.co.in

**Website:** www.sycon.co.in

**Customer Care: +91 9822 878 912**