

SYCON-4600

Intelligent Load Manager



The intelligent load manager ILM 4600 is used to protect the overshoot of demand from the sanctioned demand. It facilitates controlling of up to three independent loads by continuously monitoring the demand. It has RS 485 serial port with MODBUS RTU/ASCII protocol to communicate with PC thereby providing an ideal source for effective energy management. Apart from this the user can also check various parameters simultaneously.

Display

- Large alphanumeric LCD display (4 × 16 characters)

Display Parameters

- Phase to neutral & phase to phase voltage.
- Current of each phase.
- KW of all phases & total KW.
- KVA of all phases & total KVA.
- KVAH of all phases & total KVAH.
- KVAR of all phases & total KVAR.
- Instantaneous PF of all 3 Phases.



General Features

- 1 Alarm point and 3 tripping point (potential free)
- PC interface facility with RS-485.
- True RMS measurements.
- Model available for LT as well as HT.
- Selectable display of present & previous KVA.
- Facility for Date & time settings.
- Uses advanced DSP processor.
- Easy readability on alphanumeric back little LCD Display.
- Low PT, CT burden.
- Auto reset facility for maximum demand with programmable date & time.
- Cost effective energy management solution.
- Easy user interface & easy installation.
- Confirms to IEC standards.
- Rugged & can be used under extreme environmental condition.

Order Code	Description
SYCON 4600	Available with block window method.
SYCON 4600-T	Available with block window & TOD facility
SYCON 4600-P	Available with block window & predictive demand.
SYCON 4600-BTP	Available with block window, TOD & predictive demand facility.
SYCON 4600-S	Available with sliding window method.
SYCON 4600-ST	Available with sliding window & TOD facility

Mechanical Specifications

Front Bezel Size	144 (L) x 144 (W) x 80 (D) mm
Panel cutout Size	138 mm x 138 mm
Weight	1.5 kg

Electrical Specifications

Voltage Input	415V AC +/-15%
Current Input	--/5A --/1A (optional)
Frequency	50Hz
Switching Contact	10 A at 250V AC
Accuracy	1 digit

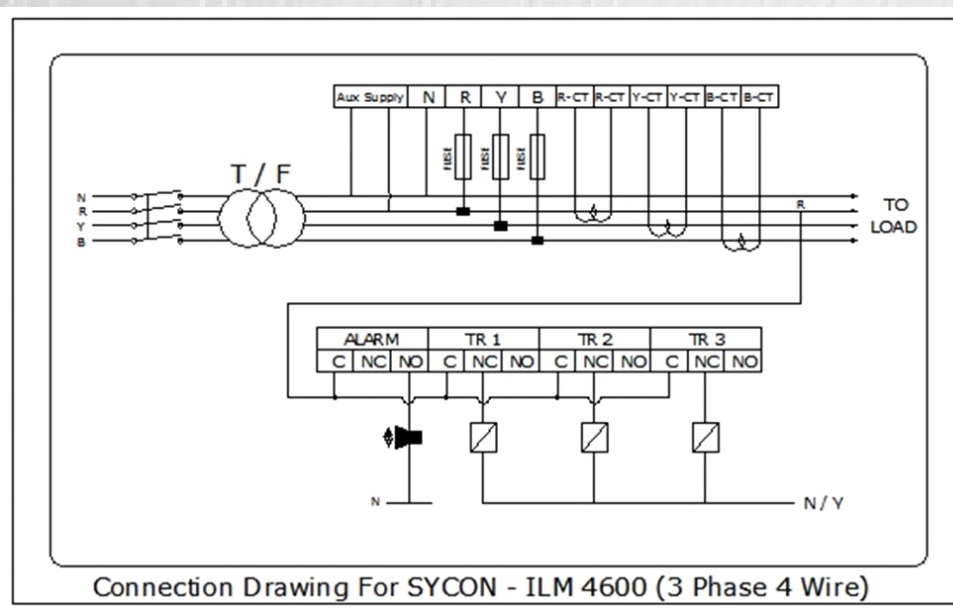
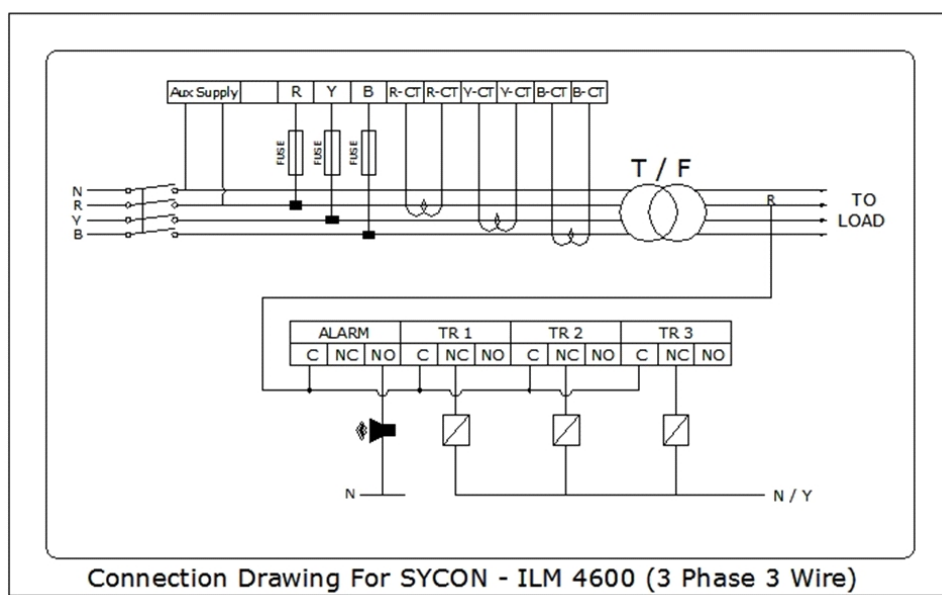
SYCON-4600

Intelligent Load Manager



SYCON

Wiring Diagram



Address: C-24, MIDC, Miraj 416410 Dist. Sangli, Maharashtra, India
 Phone: +91 9623 44 3835, +91 233 2644765 / 2644320
 Email: info@sycon.co.in
 Website: www.sycon.co.in

Customer Care: +91 9822 878 912